



Rooflight Systems





ABOVE & BEYOND™

Above your head and **beyond** your reach. High-level windows, rooflights, north lights, atria. Flooding spaces with daylight. Reducing reliance on artificial lighting. Saving electricity. Creating happier and healthier places to live and work.

Daylight comes from the sun. Glare and heat-gain do too.

You want the benefits of daylight but with shade from glare and heat. You want to darken during daylight hours if you need to. And you want to maximise daylight when there's no direct sunshine.

If only you could control daylight at the push of a button.

You can.

Our range of rooflight blinds provide dynamic shading for out-of-reach glazing at any angle.

Blinds that go **above and beyond in every sense of the word.**

**KuroLok RL™ | Helios RL™
Brighter Shading™**

KUROLOK RL™ FEATURES

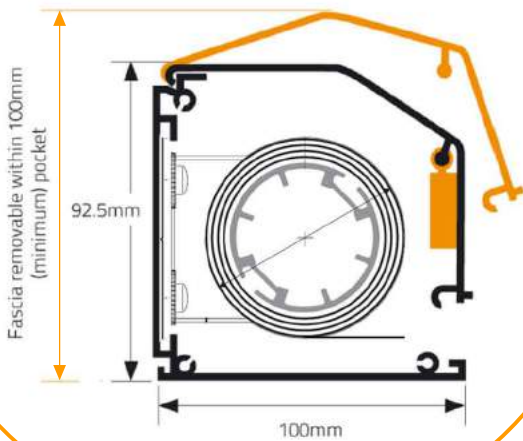
- Tensioned roller blind, fully enclosed within cassette and side channels
- Operated by electric motor or manual gear and tensioned by powerful Constant Tension Spring units.
- Blackout or sunscreen fabric is locked into the side channels along its full length to minimise sagging.
- Cassette and side channels finished in white (RAL9016) as standard. Any RAL colour available to order

MAXIMUM DIMENSIONS

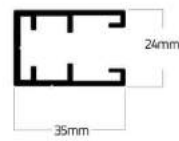
Drop (mm)	Width (mm)					
	500	1000	1500	2000	2500	3000
500						
1000						
1500						
2000						
2500						
3000						

PROFILE DIMENSIONS

Cassette



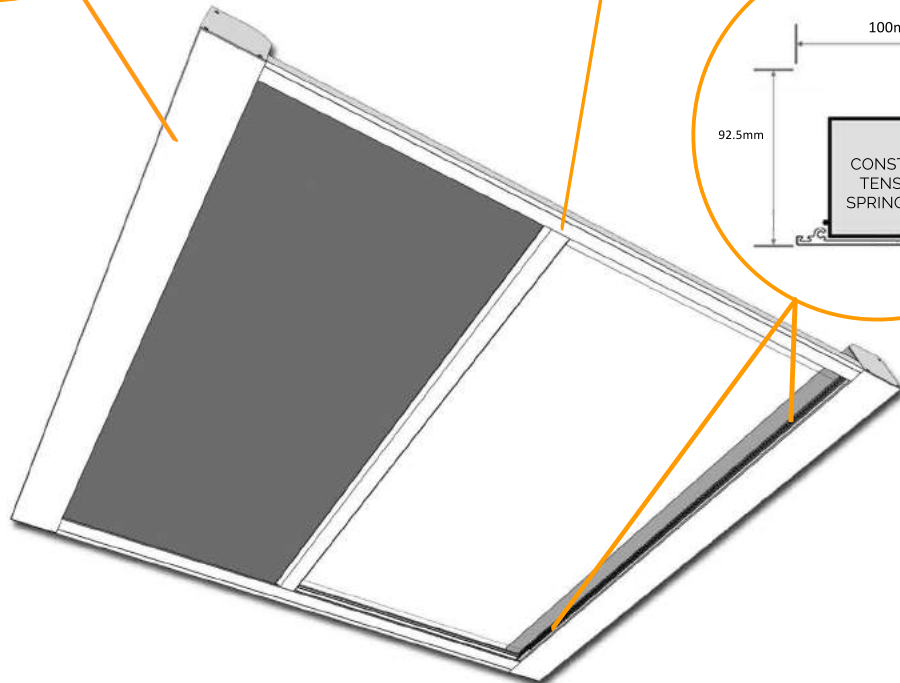
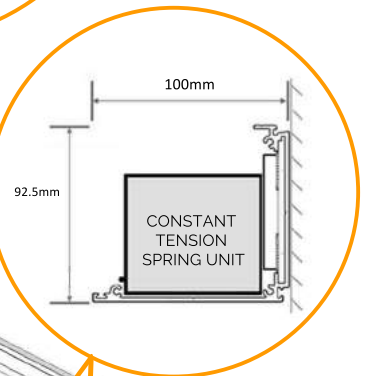
Side Channel



NEW
fabric locked in side channels



N.B. This diagram is for illustration purposes only



ULTIMATE CONTROL

Motorised operation
* Recommended method

- European-made motors
- Hardwired or radio control
- BMS integration available



STRONG

Crank handle operation
* For smaller sizes

- German-made gearbox
- 3.5Nm lifting force
- 3:1 reduction gear

HELIOS RL™ FEATURES

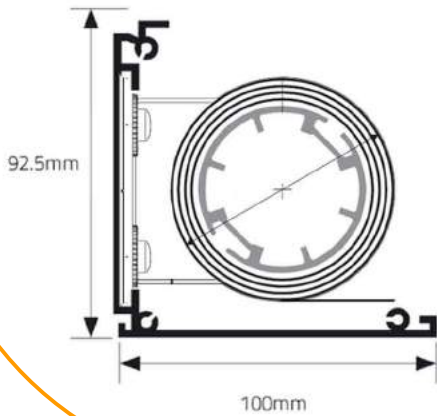
- Tensioned roller blind with fixing profile and integrated fascia.
- Hembar supported by stainless steel side guide wires.
- Operated by electric motor or manual gear and tensioned by powerful Constant Tension Spring units
- Blackout or sunscreen fabrics available in a range of colours.

MAXIMUM DIMENSIONS

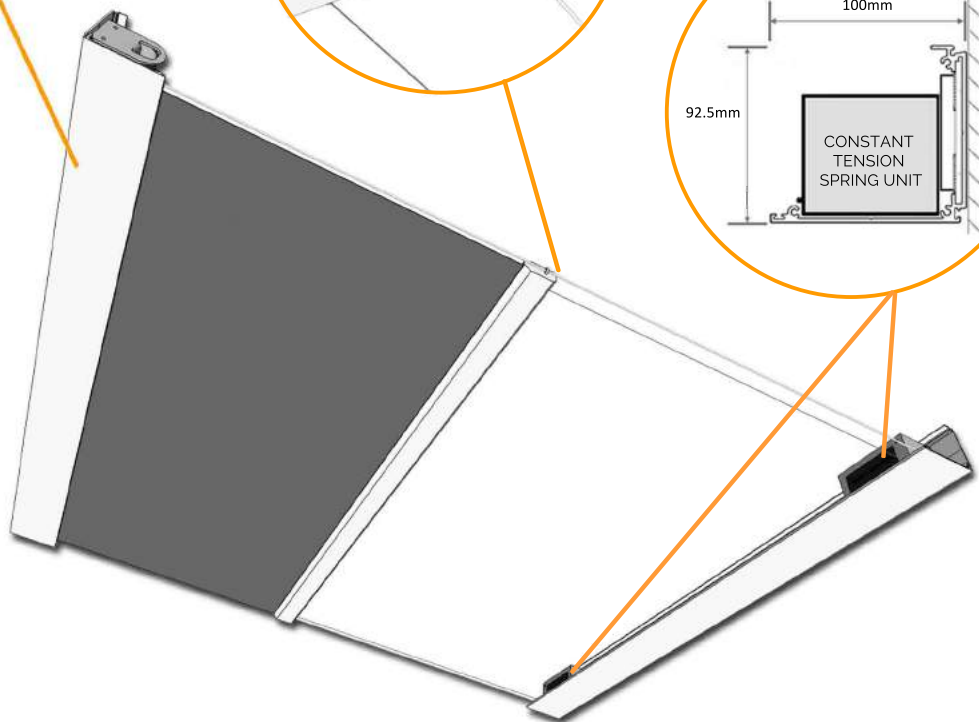
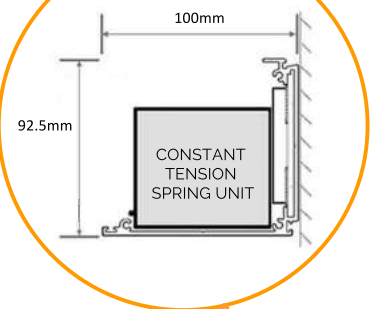
Drop (mm)	Width (mm)					
	500	1000	1500	2000	2500	3000
500	Available	Available	Available	Available	Available	Available
1000	Available	Available	Available	Available	Available	Available
1500	Available	Available	Available	Available	Available	Available
2000	Available	Available	Available	Available	Available	Available
2500	Available	Available	Available	Available	Available	Available
3000	Available	Available	Available	Available	Available	Available

PROFILE DIMENSIONS

Fascia



NEW
Stainless steel
side guide wires



ULTIMATE CONTROL

Motorised operation

** Recommended method*

- European-made motors
- Hardwired or radio control
- BMS integration available



STRONG

Crank handle operation

** For smaller sizes*

- German-made gearbox
- 3.5Nm lifting force
- 3:1 reduction gear